

 Low Latency Monitor

melford **PUBLIC AWARENESS MONITOR (PAM)**

19" high brightness, low latency monitor with a robust, lightweight design and dust and waterproof IP65 rating

The PAM range is designed for harsh environments, such as public information systems and CCTV, to satisfy the requirements for railways, airports and entertainment areas.

All displays are waterproof, dustproof and meet IP65 specifications. All PAM displays feature high brightness screens ranging from 1000cd/m² to 2000cd/m² as standard.

Low latency versions have a very short propagation delay and guaranteed no "picture freeze" - ideal for instant feedback requirements.

KEY FEATURES



Portrait or landscape orientation



Integral Opto isolated video input (DOO only)



Ambient light sensor



Lightweight aluminium and stainless steel



8mm thick laminated glass front



Mains or low voltage operation



Optional sun shield



Automatic brightness and contrast control



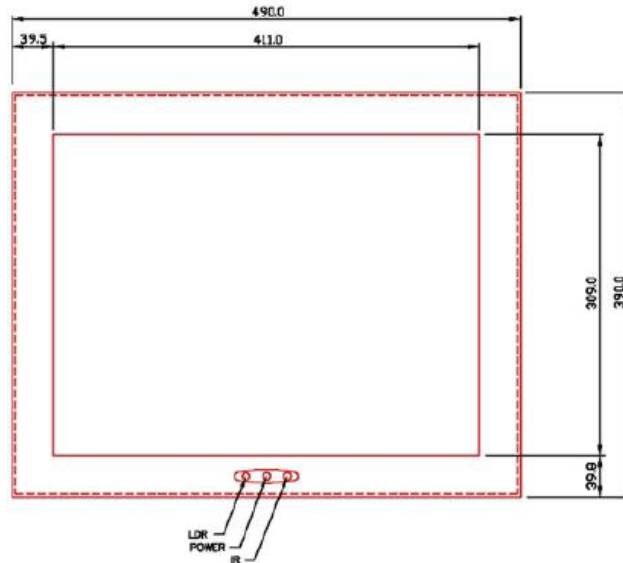
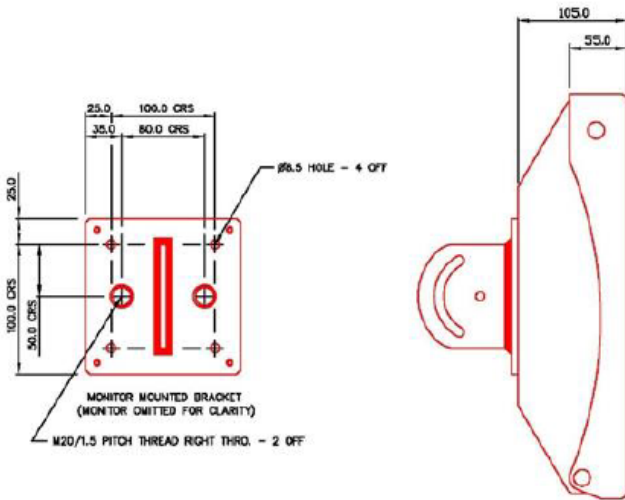
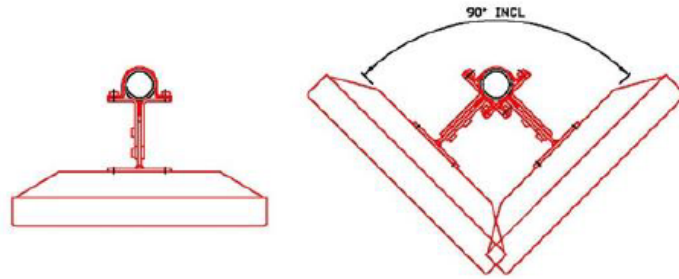
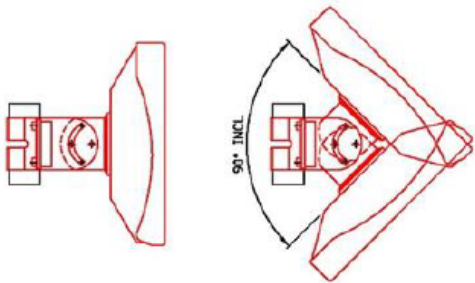
Automatic contrast adjustment (PAM_LL and DOO only)

melfordtechnologies.com



Presenting the Melford Public Awareness Monitor (PAM) range

melford



19" display shown

The rear mounting plate should be rotated to position the display in landscape or portrait mode.

melford

19 Inch

Display	Size	19" 4:3
	Dimensions and weight	W x H x D in mm: 490 x 390 x 105 Weight: 12kg (approximately)
	Technology	MVA technology
	Resolution	1280 x 1024
	Pixel arrangement	RGB Vertical stripe
	Response time	≤20ms (typical)
	Contrast ratio	2000:1 Panel only
	Brightness	1000cd/m ² , (1500cd/m ² option)
	Viewing angle	89,89,89,89 (U,D,L,R)
	MTBF	>100,000 Hrs
	Backlight expectancy	100,000hrs to 50% at 25°C
	Active display area	376.32mm (H) x 301.05mm (V)
Max colour	16.7 Million	
Supported signals	RGB input	0.7Vpk-pk 75Ω Term
	RGB H&V syncs	1 - 5V TTL
	RGB standard resolutions	VGA 640x480, SVGA 800x600, XGA 1024x768, SXGA 1280x1024*
	RGB frequency rate	45 – 90Hz (V) , 15 – 75 Khz (H)
	RGB auto detect	VGA Interlaced & Progressive **
	Composite video	PAL/NTSC/ 1Vpk-pk [optional feature]
Power supply	Power supply	110V/230V AC 50/60Hz
	Fuse rating	(110V 5A(T)) 230 2.5A (T)
	Current drawn 1000cd display	110V 0.7A / 230V 0.33A
Input/output signal connectors	RGB (pc) signal in	75Ω 15-50KHz
	Composite video	75Ω Isolated BNC
	Power connector (AC/DC)	Std IEC Inlet
User controls	OSD control keys (not fitted as standard)	OSD is controlled via infrared remote control handset. Lock out function available
	Brightness controls	Automatic
Environmental	Operating and storage conditions	Operative: -15°C to +45°C Storage: -20°C to +60°C Operational humidity: 30% to 90% (Non condensing)
	Safety operation	It is advisable to operate the monitor at ambient temperature of 25°C if possible. Do not operate the monitor at maximum settings, as it may reduce the life of the product.
Further info	Part number	90RT-PAM/IP65/19HB 90RT-PAM/IP65/19HB/1K5
	Warranty	1 Year return to factory (limited warranty)

* Recommended for best picture quality ** Software can be modified for specific input timings

Why Melford?

Melford Technologies have been offering innovative technology solutions for over 50 years.

We provide experienced professional design, project planning, configuration, deployment, and maintenance services for a full one stop shop.

We can assist with the design and manufacture of your monitor solution from the blank piece of paper at the initial meeting through to installation and post-sales support.

Contact Us

+44 (0)1494 638 069

info@melfordtechnologies.com

melfordtechnologies.com

