

 Digital Signage

melford **OUTDOOR TOUCH SCREEN**

55" outdoor touch screens - P-CAP touch with high brightness displays, ideal for any weather conditions

Designed for outdoor, 24/7 usage

Sunlight readable display with anti-reflective glass

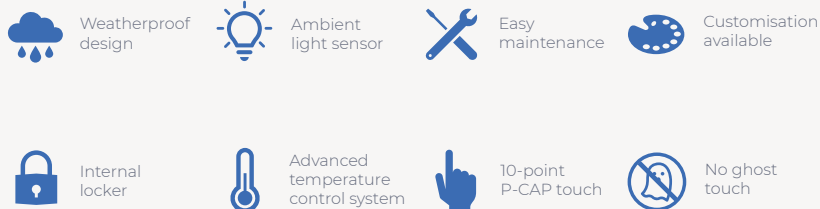
IP65 rated for weather protection

IK10 rated to withstand tampering and damage

Integrated Android media player

Removable base

ADDITIONAL FEATURES



melfordtechnologies.com



Presenting the Melford Outdoor Touch Screen range

melford



PCAP TOUCH SCREEN



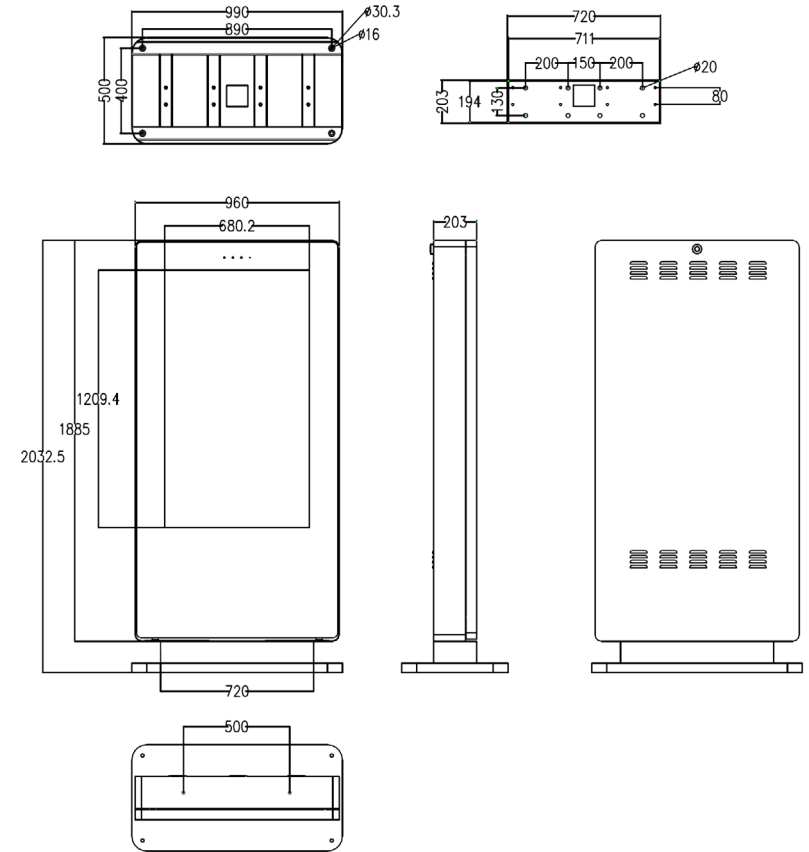
2,500 CD/M²
SUNLIGHT READABLE



IK10 RATED



IP65 RATED



2MM THICK
STEEL ENCLOSURE



REMOVABLE BASE



10 TOUCH POINTS



ANDROID MEDIA PLAYER



melford

55 Inch

Panel	Resolution	1080 x 1920
	Pixel Pitch	0.21 x 0.63
	Display Area (mm)	1209.4 x 680.2
	Aspect Ratio	16:9
	Brightness (cd/m ²)	2500
	Colour	1.073 G
	Viewing Angle	178°
	Contrast Ratio	8000:1
Touch	Touch Technology	Projected Capacitive (P-CAP)
	Touch Points	10
	Glass Hardness	7H Minimum
AV Inputs	Video	HDMI, VGA
Power	Power Consumption (W)	430
	Input Voltage	AC110~240V (50Hz~60Hz)
Mechanical	Unit Size (WxHxD mm)	2032.5 x 960 x 203
	Package Size (WxHxD mm)	2130 x 1100 x 400
	Footprint (WxD mm)	990 x 500
	Net Weight (kg)	224
	Gross Weight (kg)	256
	IK Rating	IK10
Environmental	Operating Temperature	-20°C to 50°C
	Operating Humidity	10% to 80%
	Storage Temperature	-30°C to 60°C
	Storage Humidity	5% to 90%
	Enclosure Protection	IP65
Computer	Media Formats	Video (MPG, AVI, MP4, RM, RMVB, TS), Audio (MP3, WMA), Image (JPG, GIF, BMP, PNG)
	Media Resolution	1080 x 1920
	Internal Memory	6GB
	CPU	Quad-Core Cortex-A9 @1.6GHz
	GPU	Mali-400 MP4 @600MHz
	RAM	1GB DDR3
	Internal Storage	8GB NAND
	USB	USB2.0 HOST (x2)
	LAN	10/100M Ethernet
	Wi-Fi	802.11b/g/n
	OS	Android 4.2.2
	Graphic Engine	OpenGL ES 1.1/2.0/3.0/3.1, OpenCL 1.1, Renderscript, Direct3D 11.1
	Accessories	Included
Optional		Network Upgrade, Camera
Warranty	Warranty Period	3 Year Warranty
	Technical Support	Lifetime

Why Melford?

Melford Technologies have been offering innovative technology solutions for over 50 years.

We provide experienced professional design, project planning, configuration, deployment, and maintenance services for a full one stop shop.

We can assist with the design and manufacture of your digital signage solution from the blank piece of paper at the initial meeting through to installation and post-sales support.

Contact Us

+44 (0)1494 638 069

info@melfordtechnologies.com

melfordtechnologies.com

